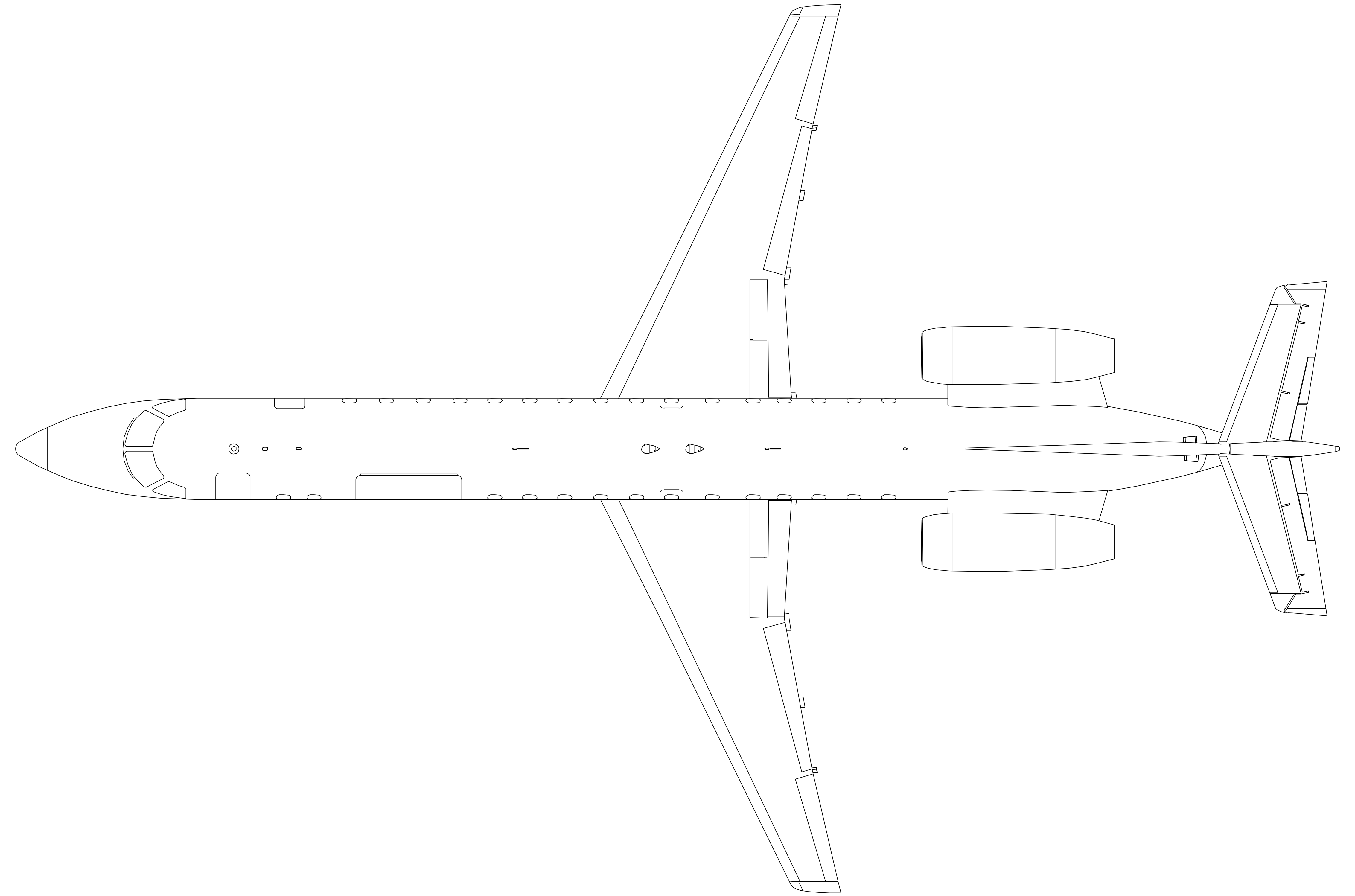
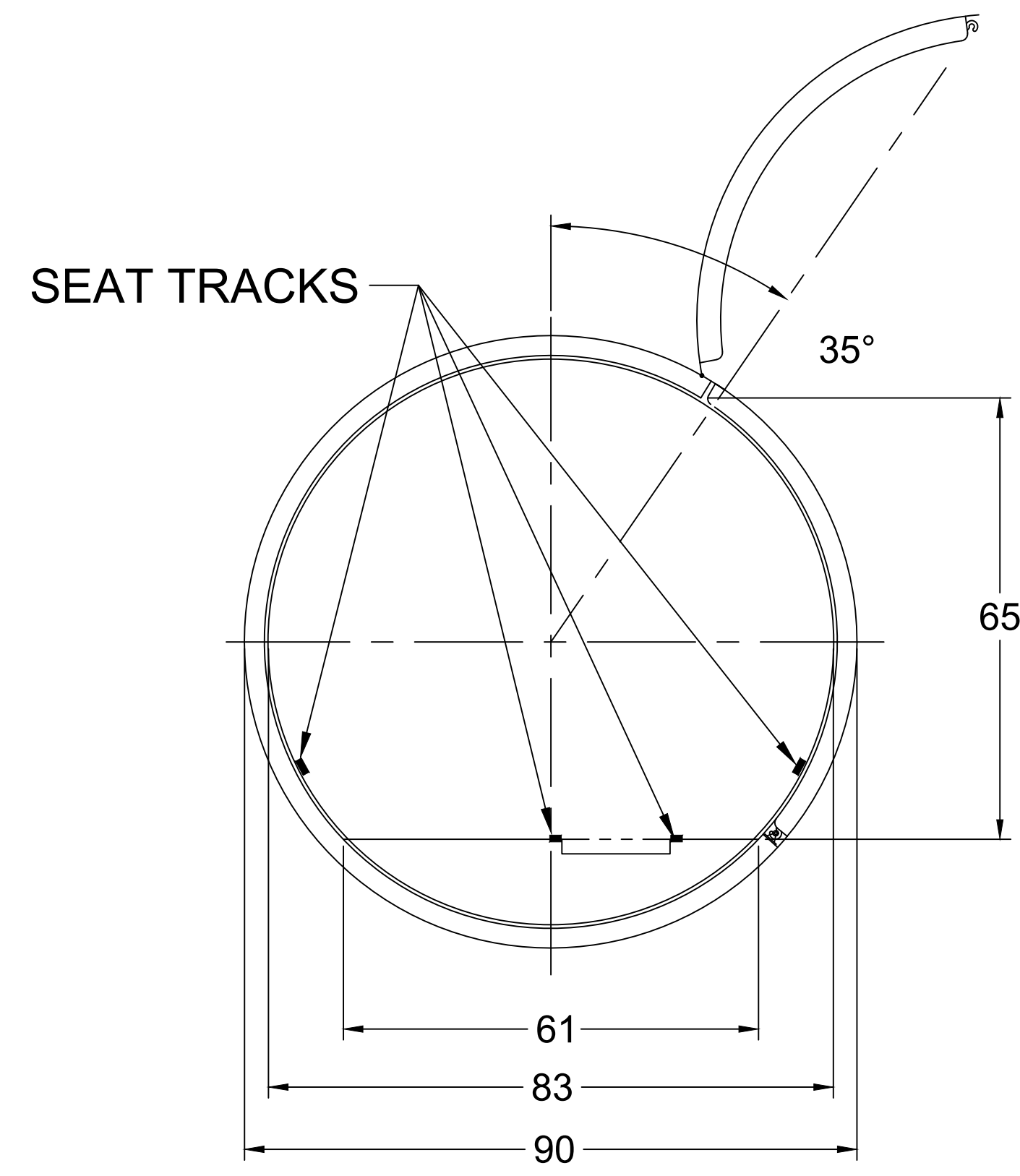
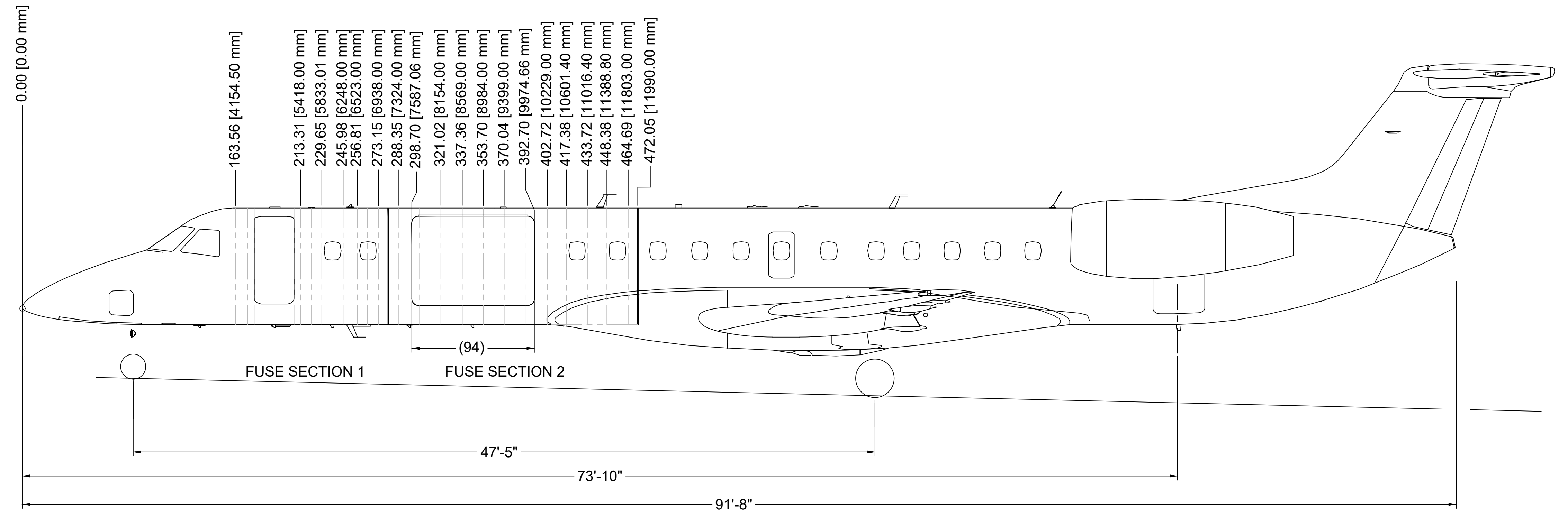
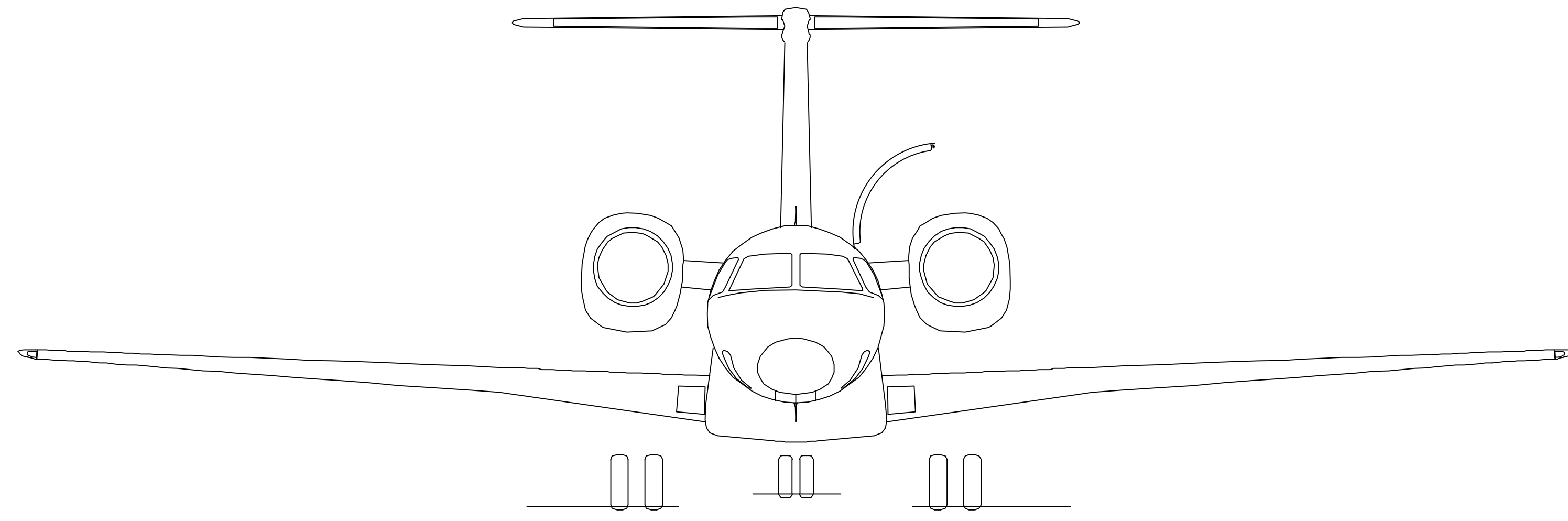



NOTICE: THIS DOCUMENT CONTAINS RESTRICTED CONFIDENTIAL AND/OR PROPRIETARY INFORMATION AND MAY NOT BE TRANSMITTED IN ANY FORM OR FASHION WITHOUT THE EXPRESS WRITTEN PERMISSION OF PHOENIX AERO SOLUTIONS, LLC.

REVISION HISTORY		DATE	DRW	CHK	APR
REV	DESCRIPTION				



DRAWN J. GENOVA	9-7-15	 <b>ERJ-145 CARGO CONVERSION GENERAL ARRANGEMENT (PRELIMINARY)</b>	REV PR1
CHECKED			SIZE E
CHECKED (STRESS)			SCALE 1:50
APPROVED			DWG NO <b>140-8011</b>
		SHEET 1 OF 1	