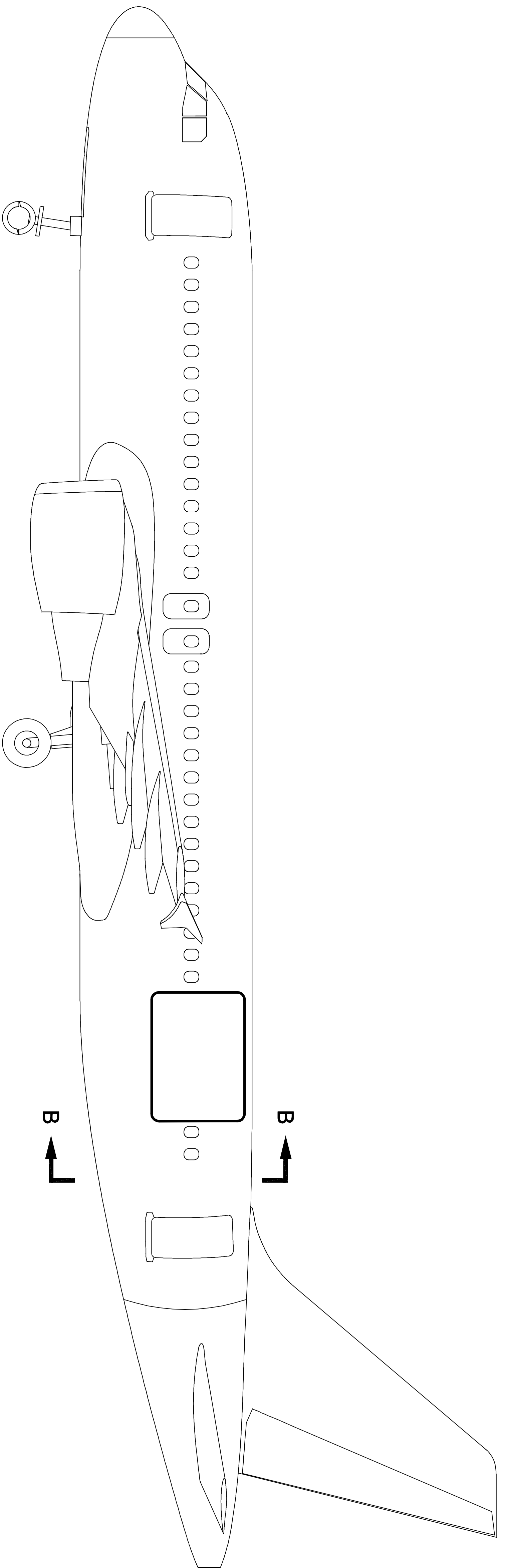
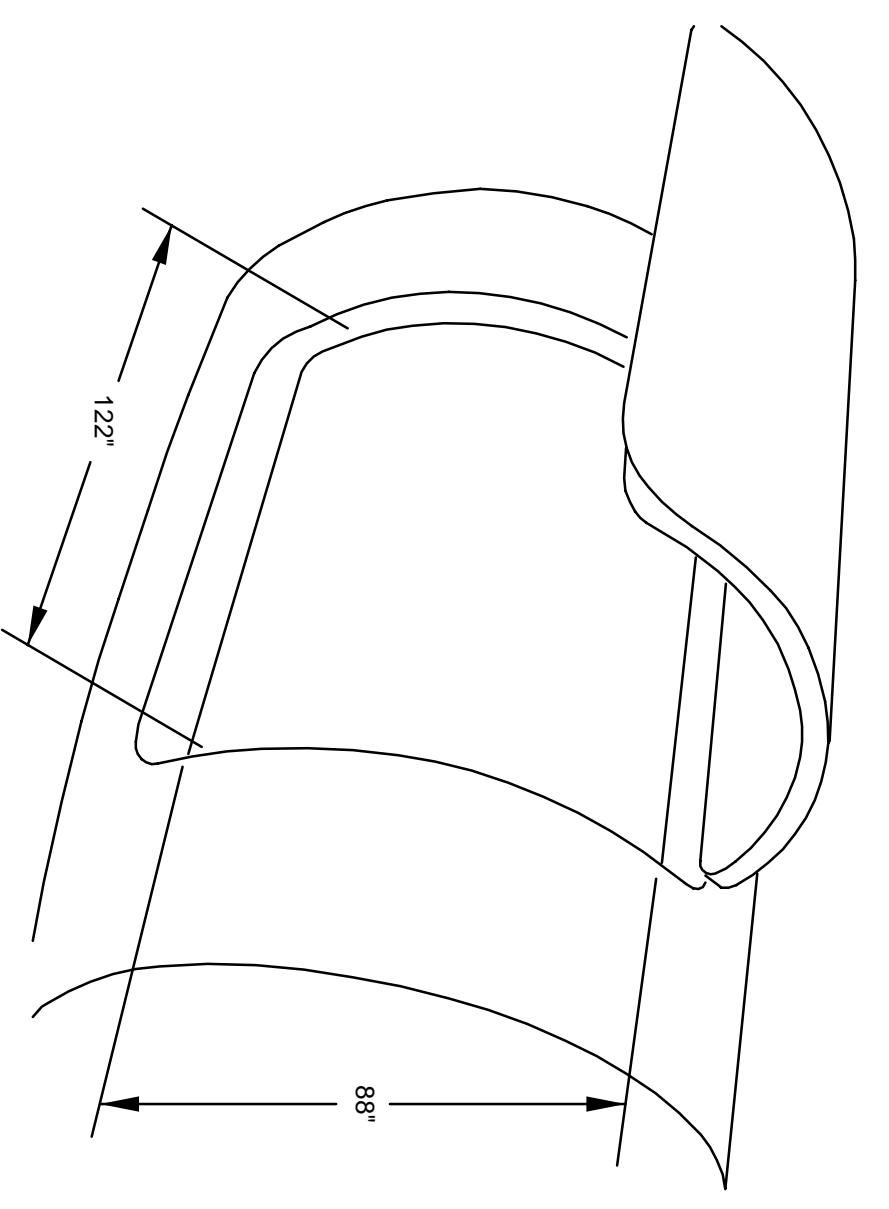


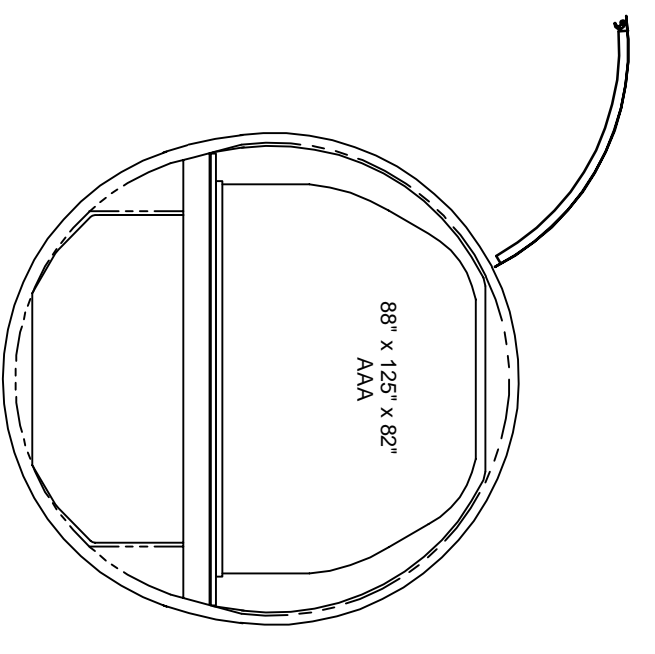
REVISION HISTORY		DATE	DRW	CHK	APR
REV	DESCRIPTION				




VIEW SHOWING CARGO DOOR LOCATION



ISO VIEW B-B  
SHOWING CARGO DOOR



VIEW B-B  
SHOWING CARGO DOOR

		<b>CARGO DOOR VIEWS</b>	
DRAWN J. GENOVA	5/29/13	TITLE	
CHECKED		CHECKED (STRESS)	
APPROVED		APPROVED	
SIZE <b>D</b>	DWG NO. 123-8039	SCALE NTS	REV. PR2

A  
B  
C  
D

